

JASA-KF100-125 / JASA-KF200-125



Features:

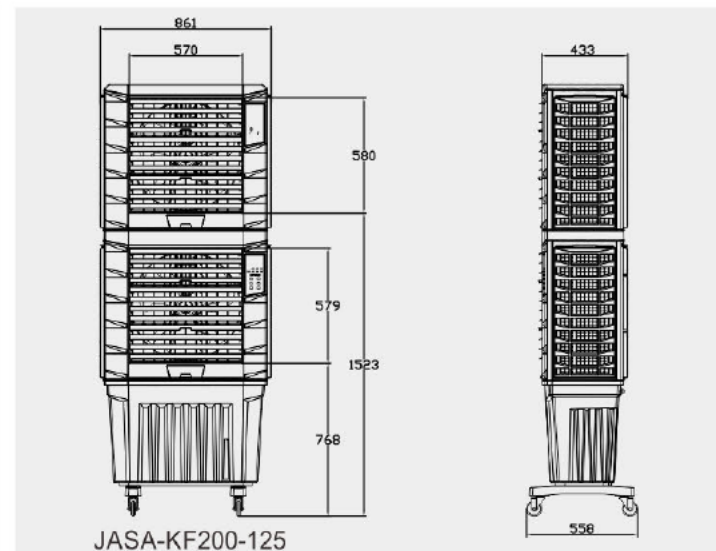
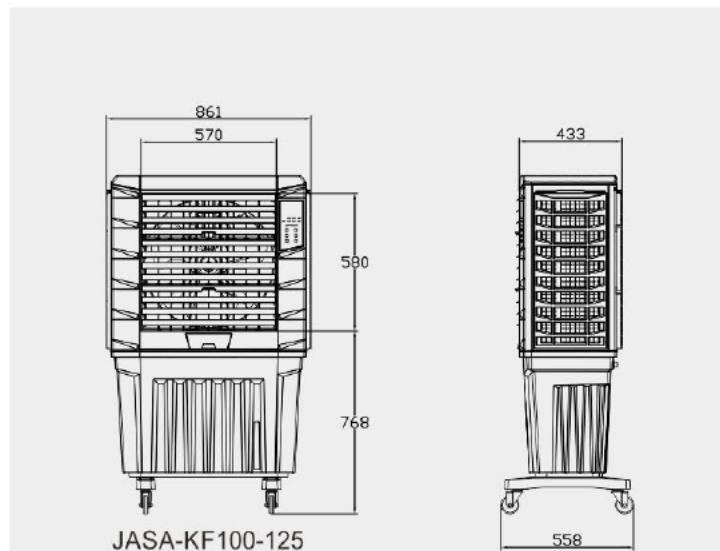
- Suitable for outdoor applications
- Rugged body-Suitable for commercial and industrial use
- High performance honeycomb pads on all three sides
- Large capacity water tank
- Water inlet float valve
- Long distance air throw
- High quality air filters to protect cooling pad
- Three wind speeds
- Optional remote control
- Strong wheels for easy portability
- Easy removable pads, for ease of cleaning
- Can run on inverter

Target Applications:

- Workshops
- Indoor stadium
- Hospitals
- Restaurants
- Gyms
- Banks
- Railway stations
- Poultry farms
- Canteens
- Residences
- Banquet halls
- Factories
- Warehouses
- Shops
- Bus stations
- Religious places
- Schools and colleges
- Outdoor events
- Horse stables
- Film studios

SPECIFICATIONS

Model		JASA-KF100-125	JASA-KF200-125
Nominal Max Airflow	m ³ /h	9000	18000
Voltage/Hertz/Phase	V/Hz/Ph	220-240/50/1	220-240/50/1
Power Consumption	W	250	425
Sound pressure Level	dB(A)	64	68
Water Tank volume	L	125	125
Air Outlet Dimensions	mm	570x580	(570x580)x2
Unit Size(WxDxH)	mm	860x530x1425	860x530x2180
Net Weight	Kg	23.5	39.5
Running Weight	Kg	133	150



Under test condition DB 38°C/WB 23°C
Above specifications and external appearance are subject to change without prior notice, please in kind prevail.